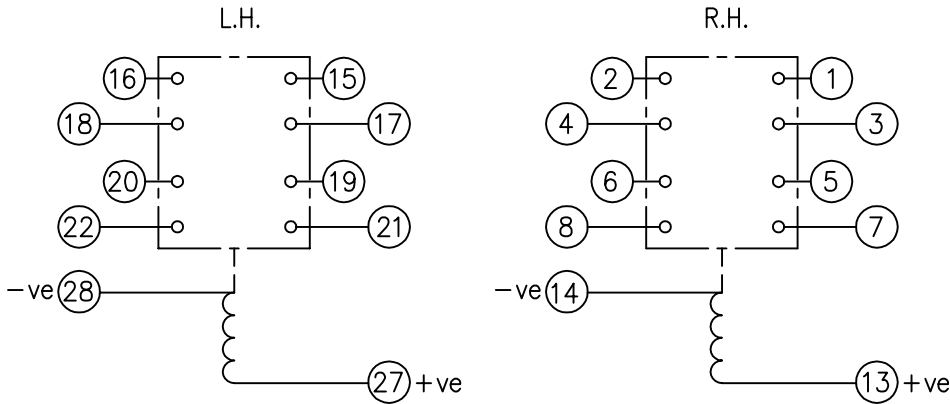


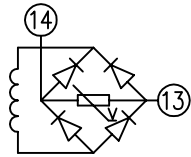
LOOKING ON FRONT OF RELAY

NOT SUBJECT TO UPDATE
ONCE COPIED / PRINTED
OR DOWNLOADED



KEY	CONTACT CONFIG.	OUTPUT CONTACT PAIR / TERMINAL No.					
		1-3	2-4	5-7	6-8	9-11	10-12
	R.H. →	15-17	16-18	19-21	20-22	23-25	24-26
	L.H. →						
⊖⊖ make contact	4M	M	M	M	M		
⊖⊖ break contact	3M 1B	M	B	M	M		
⊖⊖ c/o contact	2M 2B	B	B	M	M		
⊖ ext. conn	1M 3B	B	B	M	B		
⊖ plug bridge - shorting	4B	B	B	B	B		
⊖ metering point	4M(HD)	M+	M+	M+	M+		
⊖ 5Kv barrier	3M(HD) 1B(HD)	M+	M+	M+	+B		
⊖ test socket - shorting	2M(HD) 2B(HD)	M+	M+	+B	+B		
⊖ plug & socket	1M(HD) 3B(HD)	M+	+B	+B	+B		
	4B(HD)	+B	+B	+B	+B		
	2M(HD)2M(STD)	M+	M+	M	M		
	2M(HD)2B(STD)	M+	M+	B	B		

NOTE: WHEN RECTIFIER IS SPECIFIED COIL CONNS. ARE AS SHOWN.



FRAME REFERENCE: E4FS05.
 FRAME TERMINAL BLOCK ASSY: -
 ASSEMBLY INSTRUCTIONS: -
 TYPICAL ASSEMBLY DRAWING 2995G10032.
 AT INDICATED POSITIONS FIT AS FOLLOWS:
 T - FIT TRIP ISOLATION CONTACT 2995B10053
 S - FIT STANDARD CONTACT 2995B10054
 SECURE CONTACTS USING FIXING SCREW 2109F99009.
 POSITIONS SHOWN BLANK ARE UNUSED

2	T	T	1
4	T	T	3
6	T	T	5
8	T	T	7
10			9
12			11
14	S	S	13
16	T	T	15
18	T	T	17
20	T	T	19
22	T	T	21
24			23
26			25
28	S	S	27

VIEW FROM NUMBERED SIDE OF BLOCK

OUTER TERMINAL BLOCK ASSY: -
 ASSEMBLY INSTRUCTIONS: -
 TYPICAL ASSEMBLY DRAWING 2995G10029.
 AT INDICATED POSITIONS FIT AS FOLLOWS:
 S - FIT STANDARD CONTACT 2995B10051
 HC - FIT 'HEAVY CURRENT' KIT 2995G10030
 WHERE ⊖⊖ IS SHOWN FIT CT SHORTING KIT 2995G10031
 POSITIONS SHOWN BLANK ARE UNUSED.
 ALL POSITIONS FIT SCREW 2106F12506.

2	S	S	1
4	S	S	3
6	S	S	5
8	S	S	7
10			9
12			11
14	S	S	13
16	S	S	15
18	S	S	17
20	S	S	19
22	S	S	21
24			23
26			25
28	S	S	27

VIEW FROM INSIDE FACE

Copyright © 2000 VA TECH Reyrolle Ltd. Hebburn

Title: T.B. AND W.D. FOR AR2-1/2-2 4 CONT. RELAYS IN EPSILON E4 CASE.			First used on:		
Similar Articles:			Supersedes:		
Drg.No.			Original Scale:		
2112W50024			.		
3 RDW 2	29/6/4 12/04/00	112/2648 MN995/09	VA TECH Reyrolle AUTOMATION, CONTROL & PROTECTION		DRAWN: A.LAW. CHECKED: APPROVED: R.D.WATSON DATE: 16/07/02 IE:
ISSUE DATE MOD.No.			OPS:		